



### ***RA Series: Small, Sleek, Bright – Easy***

#### ***Standard Features Include:***

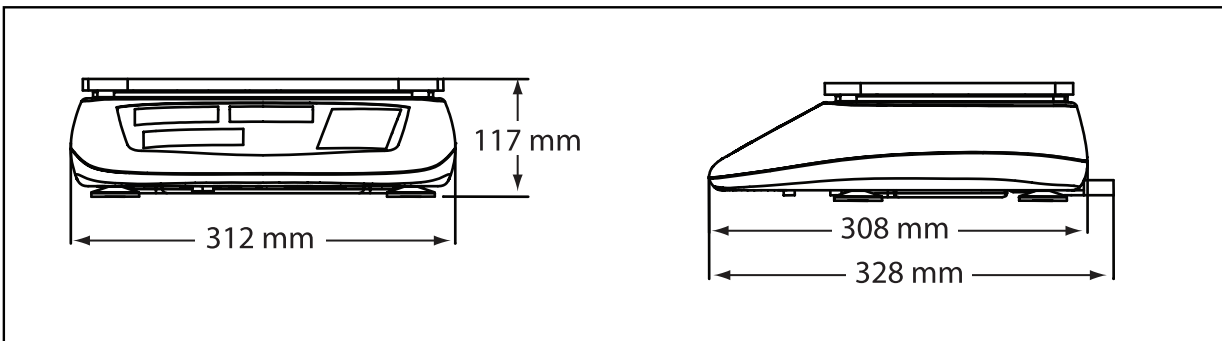
- Small footprint compact scale
- Robust construction for portable use; easy to clean
- Easy to read, bright LED or LCD display
- Fast price computing
- Sleek elegant design that fits into every environment
- Tare key and Zero key
- Stainless steel weighing pan
- Battery models with power indicators, power save function available
- Long battery life – a full week without recharging (LCD)

# RA Series Access Level Retail Scale

## Specifications

Model	RA 6S	RA 6SB	RA 15S	RA 15SB
Capacity x Readability	6kg x 2g	6kg x 2g	15kg x 5g	15kg x 5g
Application Modes	Price computing for articles by count and weight, Tare function, 25 PLU memory			
Construction	Removable stainless steel pan, high grade polymer housing			
Display	Red LED display or LCD display Weight display: 5 digits Price per kg display: 5 digits (LED) resp. 6 digits (LCD) Price to pay: 6 digits			
Display Indicators	Battery Status, Power, Tare			
Keyboard	16 keys, Clear key, Tare key, PLU key			
Pan Size	293mm x 293mm x 202mm			
Scale Dimensions	312mm x 117mm x 328mm			
Net Weight	4.2kg			
Operating Temperature	-10° to 40°C			
Power	External AC adapter 230 V AC, 50Hz / 12 V CC Battery: Internal rechargeable sealed 6V/5Ah lead acid battery			

## Outline Dimensions



## Accessories

Special protection case to ensure safe and convenient transportation  
Car adapter cable 12V

[www.ohaus.com](http://www.ohaus.com)

\* ISO 9001:2000  
Registered Quality Management System

80774424 © Copyright Ohaus Corporation

