



# Model SD Series

Shipping Scale



## The Ohaus SD Series Shipping Scale – Portability, Durability, Ohaus Quality and Value

The SD Series is a well-built portable bench scale designed specifically with affordability, utility and everyday usage in mind. Ideal for home office, mail room, shipping and receiving, and general commercial and industrial weighing applications, the SD Series features a durable painted steel treaded platform, a remote indicator with two tactile function keys, battery operation and flexible mounting capability for a truly portable scale that can be carried and operated in various locations. The SD Series is your efficient solution to a variety of weighing needs, when you need it, where you need it.

### Standard Features Include:

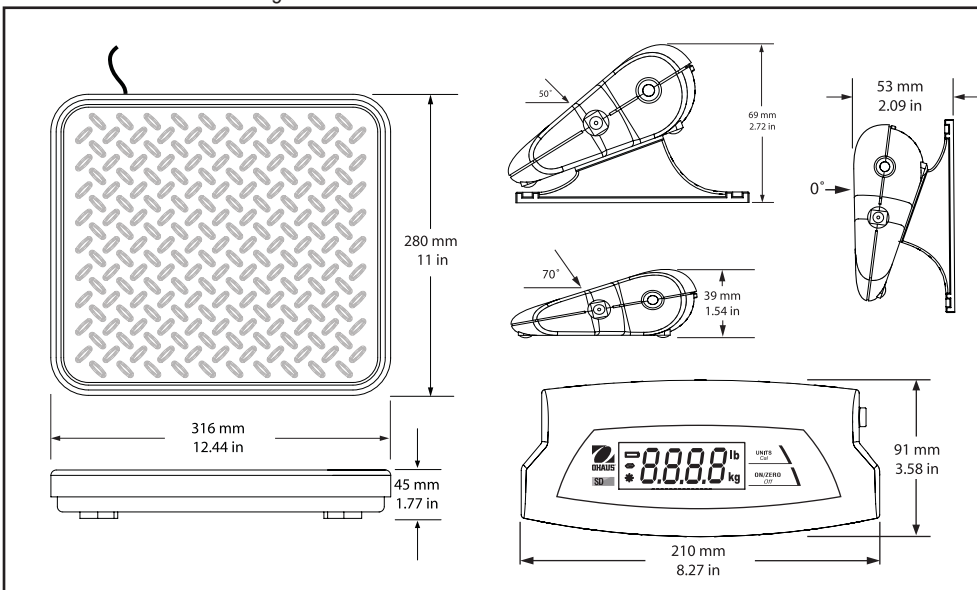
- 3 popular capacity models: 35kg, 75kg, 200kg
- Maximum displayed resolutions from 1:1650 to 1:2200
- ABS plastic indicator housing with reinforced ribs
- Universal table/wall mounting brackets included
- Flexible coiled cable, extendable
- Painted steel platform with raised embossed treads
- LCD with fast weight display in kg or lb
- Simple 2 function raised tactile keys
- AC adapter or 360 hour battery operation with Auto-shut off feature
- Calibration in kg or lb
- Carry-handle on carton for ease of portability
- Industry leading support

# The Ohaus SD Shipping Scale

## Specifications

Model	SD35	SD75	SD200
Capacity x Readability	35kg x 0.02kg	75kg x 0.05kg	200kg x 0.1kg
Maximum Displayed Resolution	1:1750	1:1650	1:2200
Calibration Weights (fixed)	25kg	50kg	100kg
Construction	ABS plastic housing and mounting brackets Painted steel base with raised, embossed tread pan		
Weighing Units	kg, lb		
Application Modes	Weigh only		
Linearity	± 1d		
Repeatability (std. dev.)	1d		
Display	1-window, LCD, 20mm High, 4-digit, 7-segment		
Keyboard	2 function raised tactile mechanical switches: [ON/OFF Zero] / [UNITS Cal]		
Zero Range	to capacity by subtraction		
Stabilization Time	3 seconds		
Cable Length	Extendable 1.8m to 2.7m (full extension)		
Operating Temperature	5° to 40°C / 41° to 104°F 10%-80% relative humidity, non-condensing		
Power	AC Adapter 9V DC / 100mA 3 "C" alkaline batteries ( <i>not included</i> )		
Battery Operating Time	360 hours		
Auto-Shut off	4 minutes with no activity (battery operation only)		
Safe Overload Capacity	150% of capacity		
Indicator Size	210L x 91W x 39H mm		
Base Size	316L x 280W x 45H mm		
Shipping Dimensions	380L x 100W x 465H mm		
Net Weight	2.6kg	3.3kg	
Shipping Weight	3.7kg	4.3kg	
Other Features	Calibrate in kg or lb, Calibration lock via internal switch		

## Outline Dimensional Drawings



### Ohaus UK Ltd

64 Boston Road - Beaumont Leys  
Leicester - LE4 1AW  
Tel. : 0116 234 5075  
Fax : 0116 235 9256  
E-mail : [uksales@ohaus.com](mailto:uksales@ohaus.com)

### Ohaus Europe & MEA

Im Langacher  
CH-8606 Greifensee  
Switzerland  
Tel. : + 41-1-944 33 66  
Fax : + 41-1-944 32 30  
E-mail : [EuropeSales@ohaus.com](mailto:EuropeSales@ohaus.com)

[www.ohaus.com](http://www.ohaus.com)

**With offices throughout Europe,  
Asia, and Latin America**

**\*ISO 9001:2000**

Registered Quality Management System

80774231 © Copyright Ohaus Corporation

